

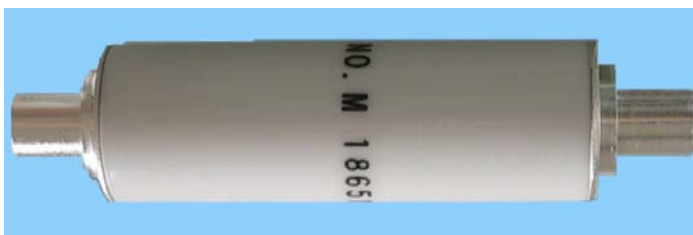
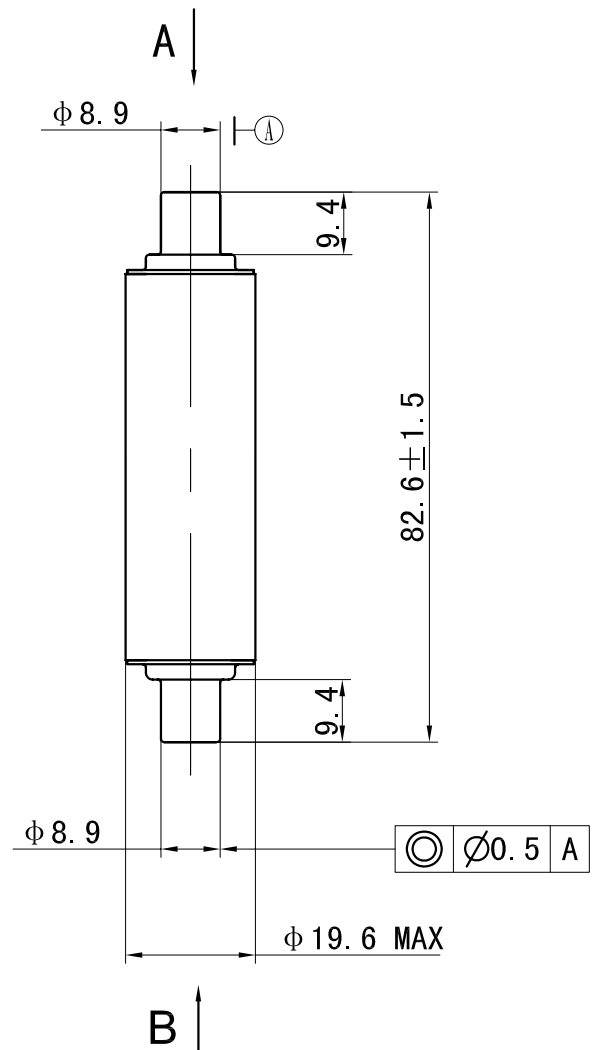
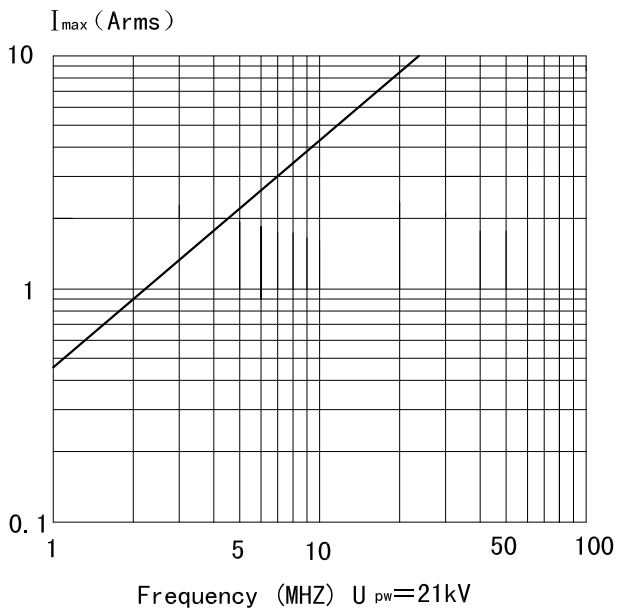
Data-Sheet-Fixed Capacitor

CKT5/21/12



www.glvac.cn

Specification	
Capacity $C_{max}$ (nominal)	5pF
Voltage (Peak Test $U_{pt}$ /Peak Working $U_{pw}$ )	30kV/21kV
Capacity tolerance	$\pm 0.5pF$
Max. Current $I_{max}$ at 21.4MHz with	10Arms
Conduction Cooling	
Net Weight	0.06kg



VIEW A

VIEW B

